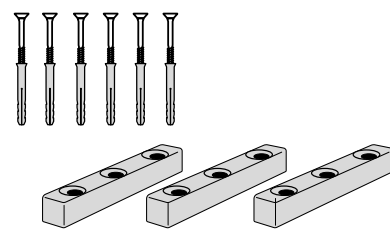


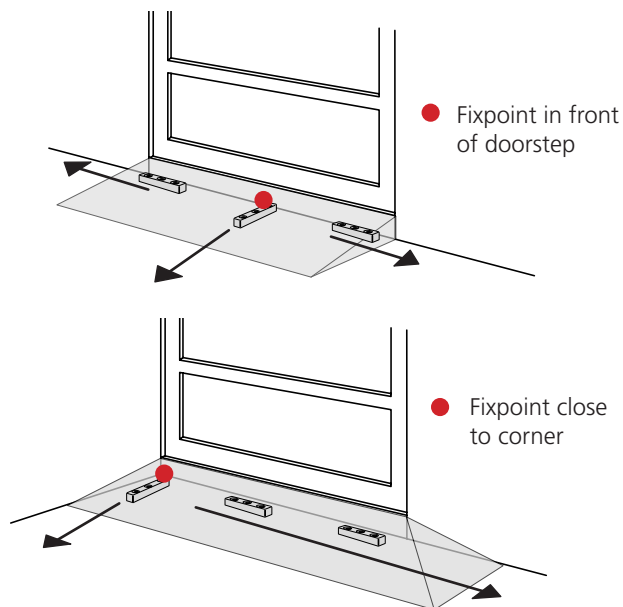
EXPANSION GUIDE

All materials expand when temperature increases and contracts when it drops. As an example, look at the freeway bridges built on rolls, so they can expand without problems.

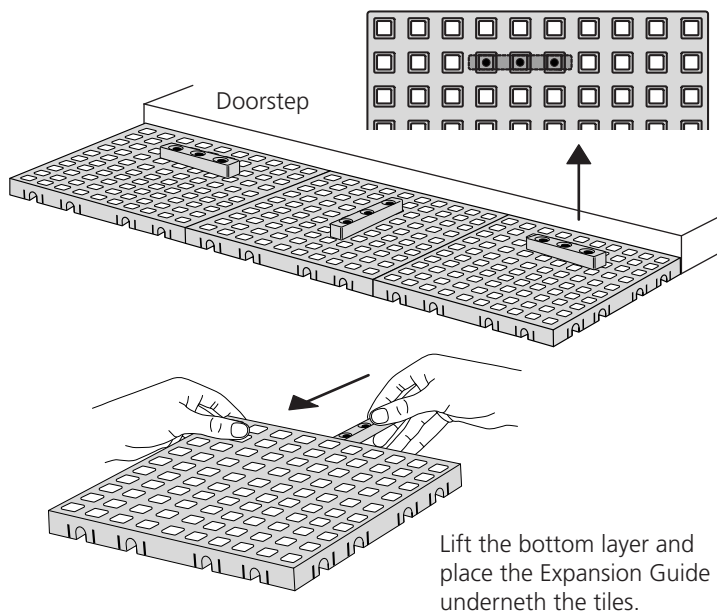


PE (Polyethylene) also expands, therefore the Expansion Guide is used for outdoor fixation.

It is important to use Expansion Guides that the ramp will expand in the intended direction. Here a couple of examples on how to place the Expansion Guides:

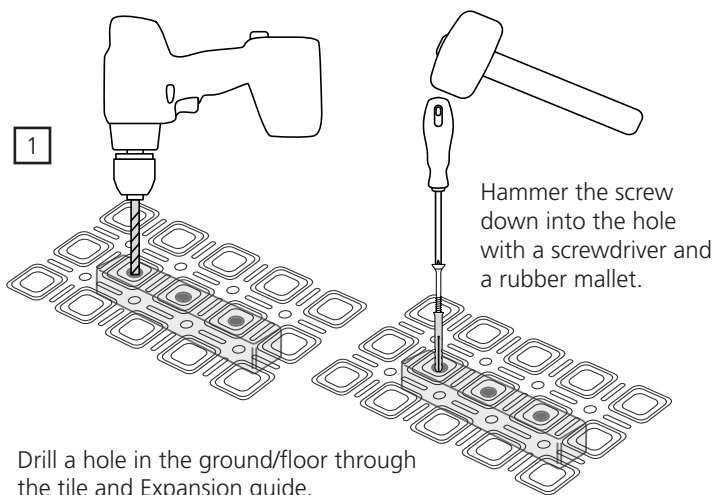


Placement of Expansion Guides:

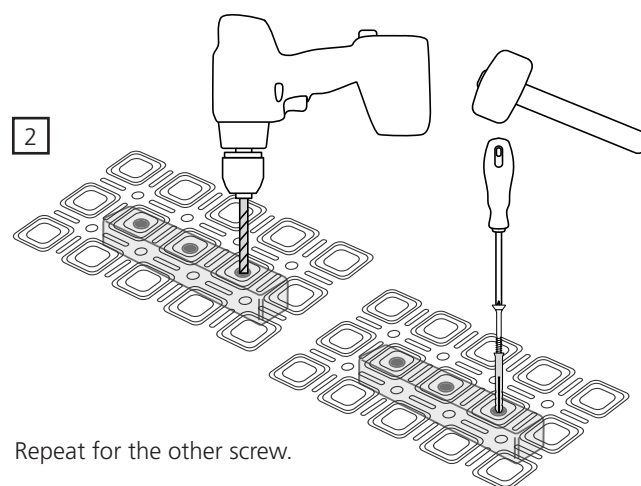


Lift the bottom layer and place the Expansion Guide underneath the tiles.

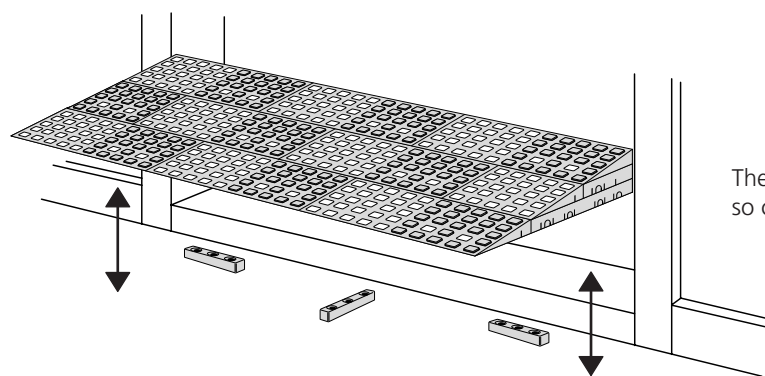
Use, if possible, the two outer holes in the Expansion guide. (The middle hole is an extra). Fix one screw at a time.



1 Drill a hole in the ground/floor through the tile and Expansion guide.



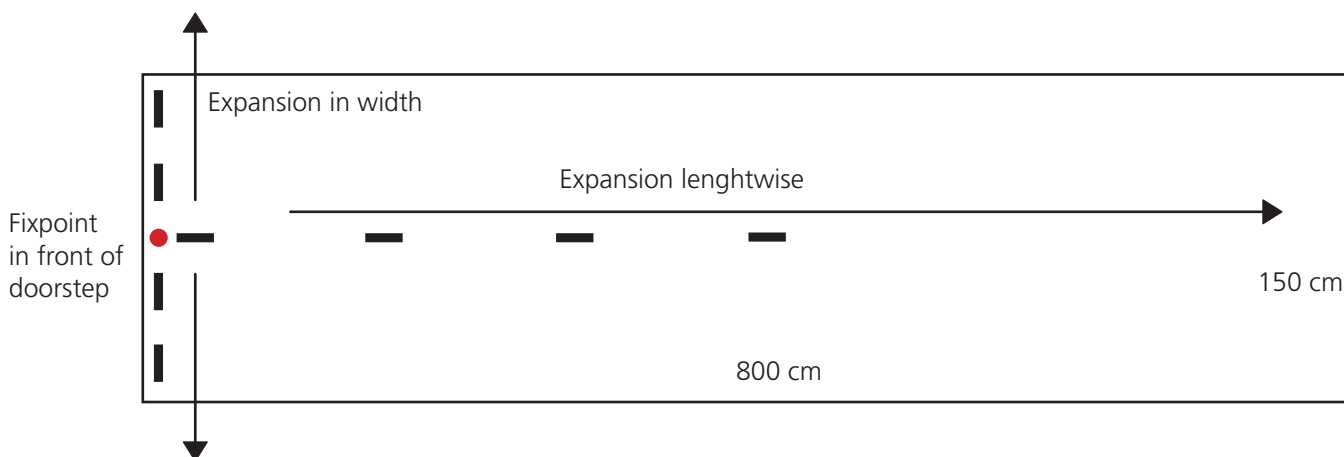
2 Repeat for the other screw.



The Ramp can be lifted from the Expansion guide, so cleaning the ground is possible.

EXPANSION OF RAMP

Example of ramp expansion:



Place the Expansion guide at the fixpoint in front of the doorstep/edge and underneath the ramp to the middle. This way you will keep the ramp in place so it will neither move away from the doorstep or to the sides.

Expansion lengthwise

When installed at 15°C, the ramp has a length of 802 cm. At 40°C in the sun, it will expand to 806 cm. In wintertime, it contracts to 800 cm.

Movement in width

When installed at 15°C, the ramp has a width of 105,9 cm. At 40°C in the sun, it will expand to 151,2 cm. In wintertime, it contracts to 150 cm.

Thermal Expansion Diagram for PE (Polyethylene)

Temperature c°	Expansion %	Example (8 meters)
5 °C	+ 0,1 %	800,80 cm
10 °C	+ 0,2 %	801,60 cm
15 °C	+ 0,3 %	802,40 cm
20 °C	+ 0,4 %	803,20 cm
25 °C	+ 0,5 %	804,00 cm
30 °C	+ 0,6 %	804,80 cm
35 °C	+ 0,7 %	805,60 cm
40 °C	+ 0,8 %	806,40 cm
45 °C	+ 0,9 %	807,20 cm
50 °C	+ 1,0 %	808,00 cm
55 °C	+ 1,1 %	808,80 cm
60 °C	+ 1,2 %	809,60 cm
65 °C	+ 1,3 %	810,40 cm
70 °C	+ 1,4 %	811,20 cm
75 °C	+ 1,5 %	812,00 cm
80 °C	+ 1,6 %	812,80 cm
85 °C	+ 1,7 %	813,60 cm
90 °C	+ 1,8 %	814,40 cm
95 °C	+ 1,9 %	815,20 cm
100 °C	+ 2,0 %	816,00 cm