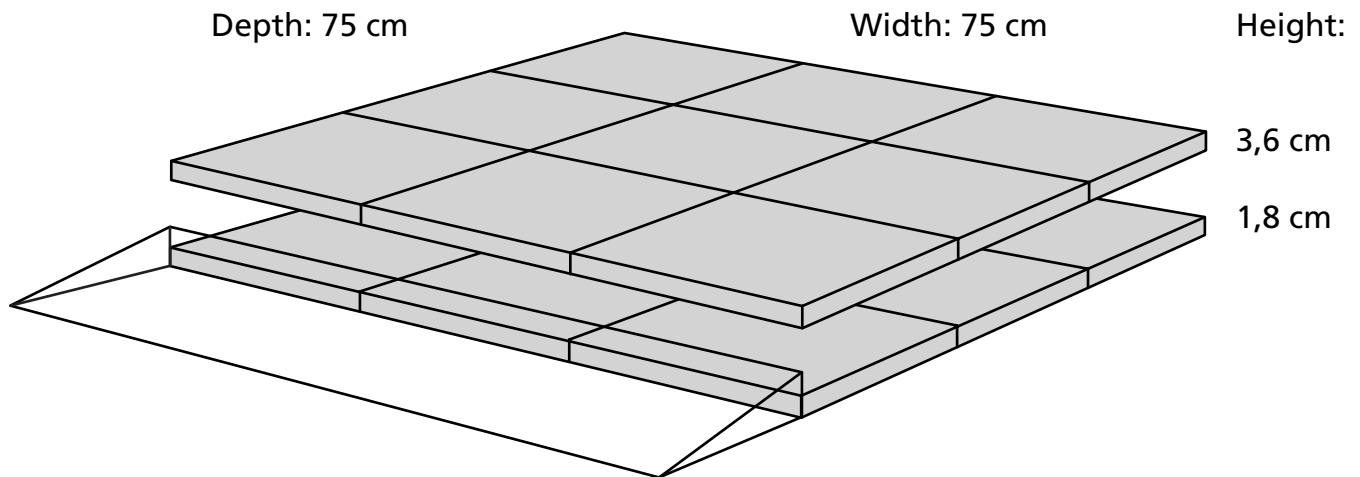


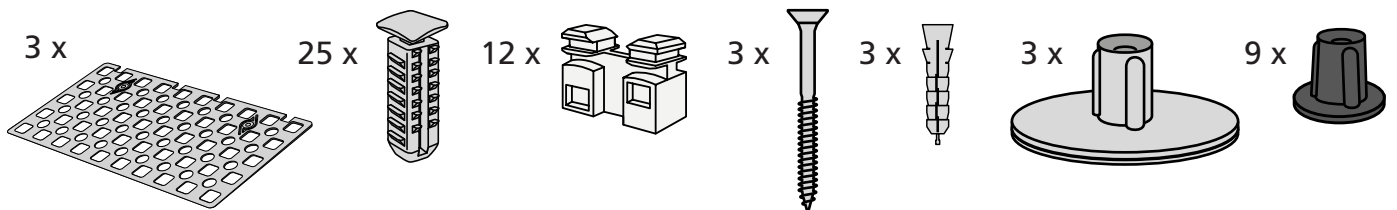
RAMP KIT 1 PLATFORM

Dimensions



Build together with the Ramp Kit 1 the height can be adjusted up to 5,2 cm

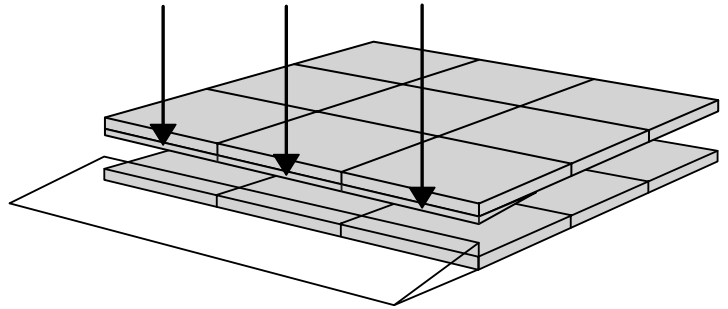
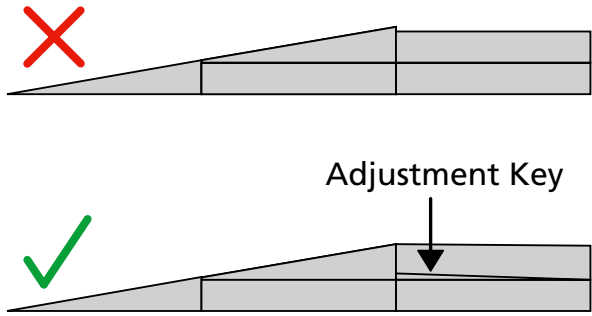
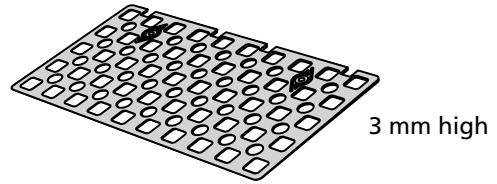
Included



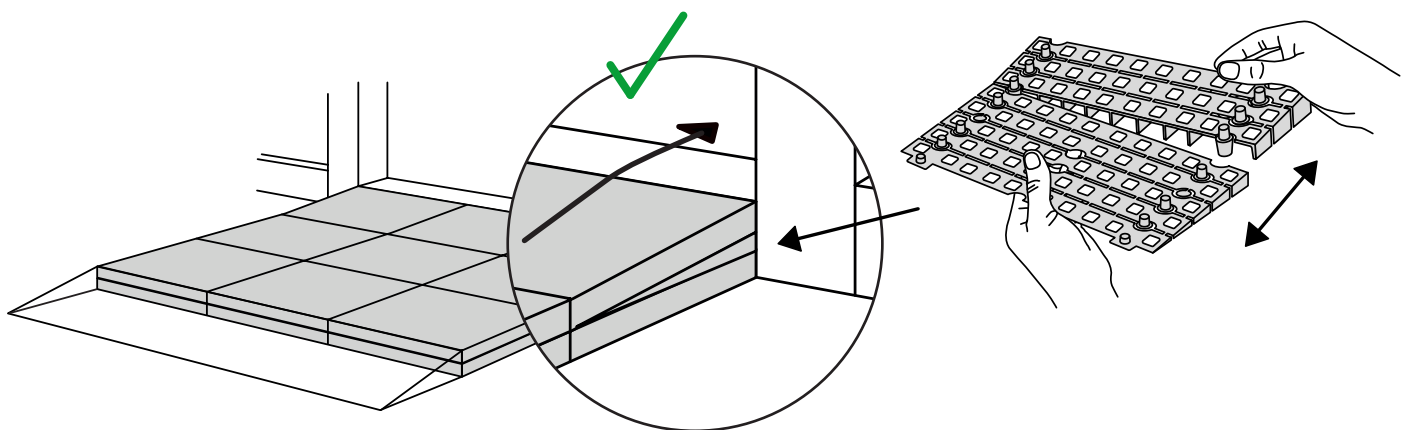
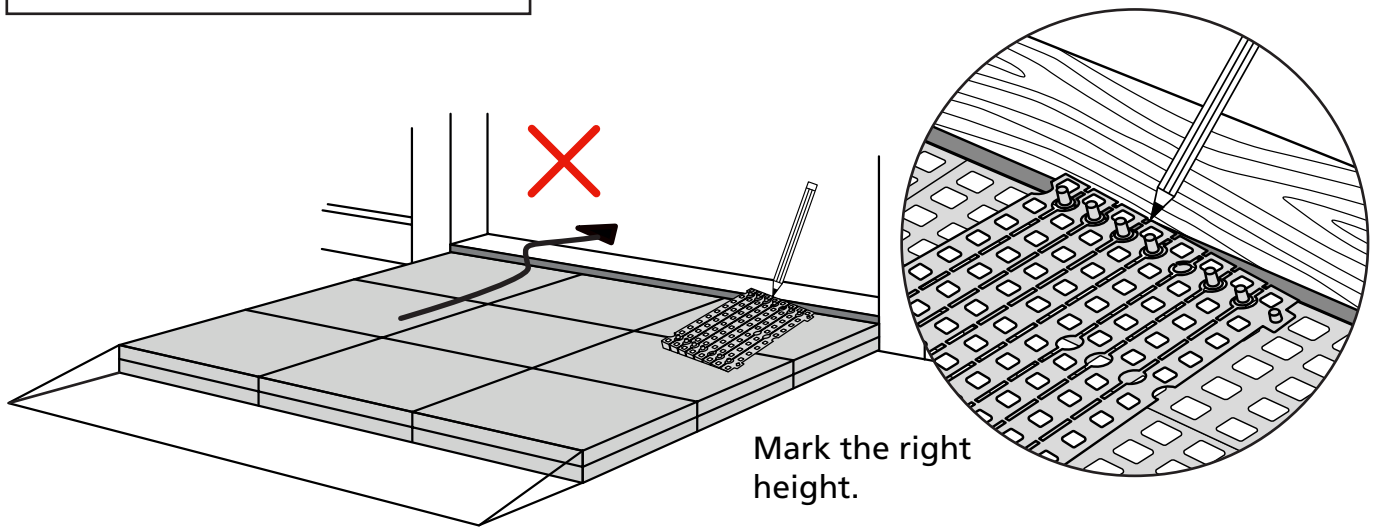
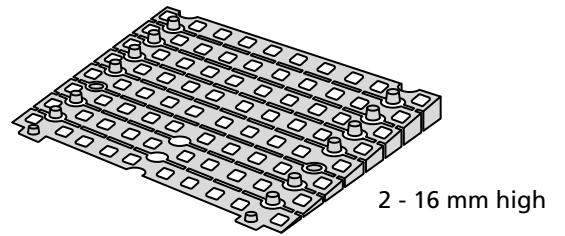
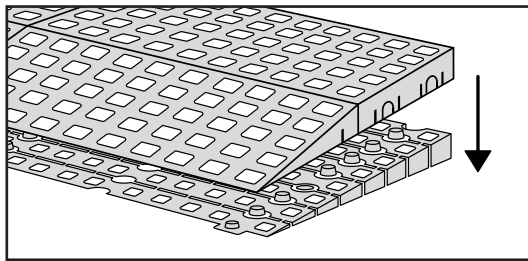
Mounted under the platform

HEIGHT ADJUSTMENTS

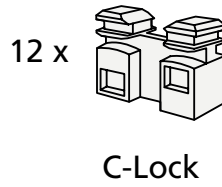
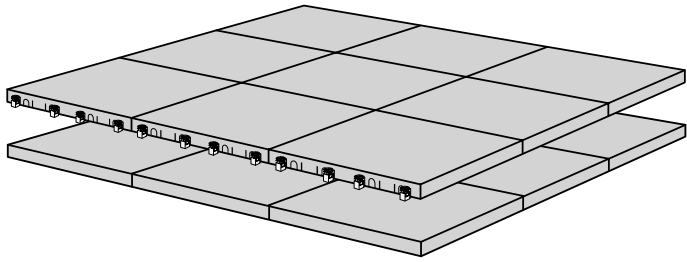
The Adjustment Key equalizes the height difference between platform and ramp.



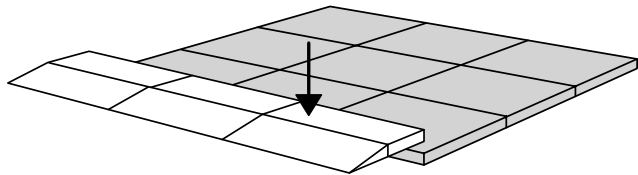
When you connect a **platform** and a **ramp**, remove the **Ramp Adjuster** from the ramp, and use it to adjust the platform as shown here:



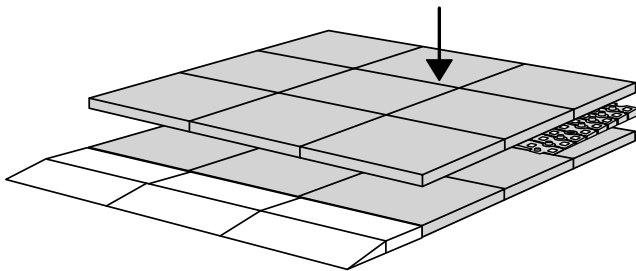
MOUNTING WITH LOCKS



How to connect KIT and Platform:

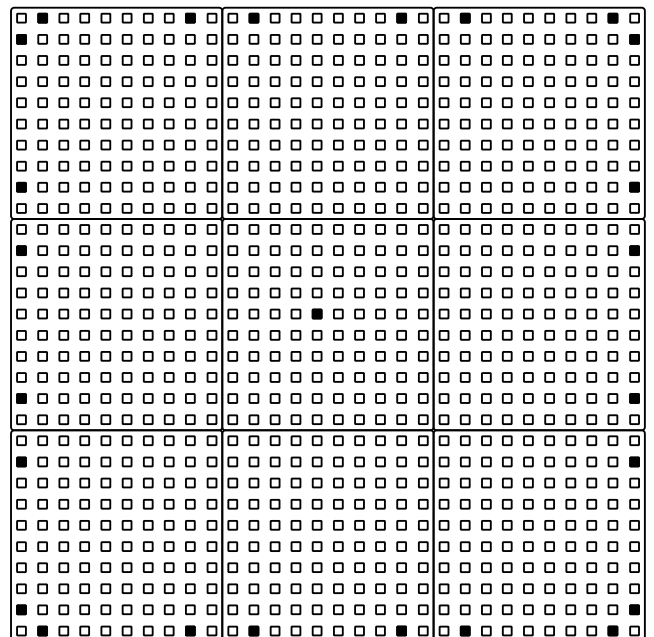
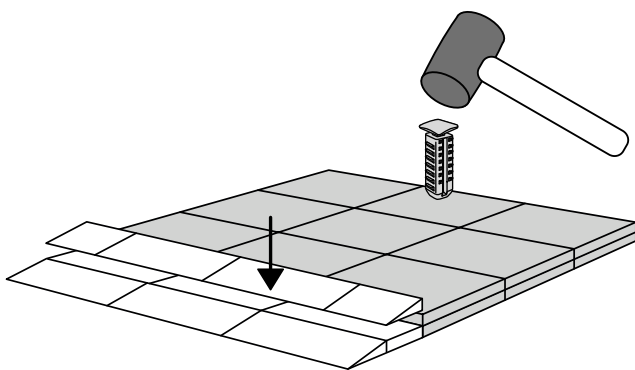
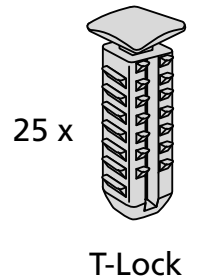


Locks in Ramp KIT:
See KIT instruction for placement of Locks in the Ramp KIT.

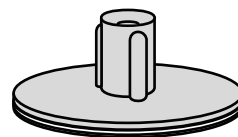


Locks in platform:
S-Lock is mounted on the top layer.

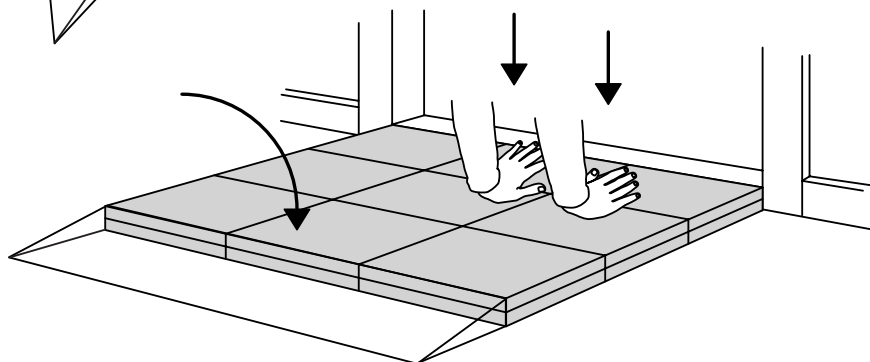
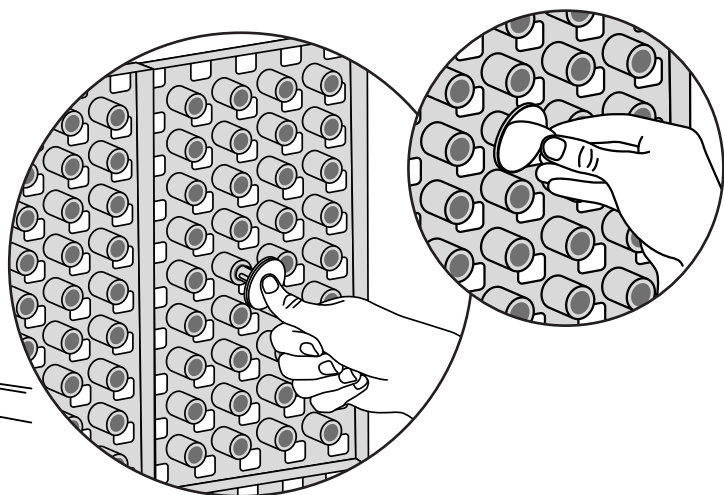
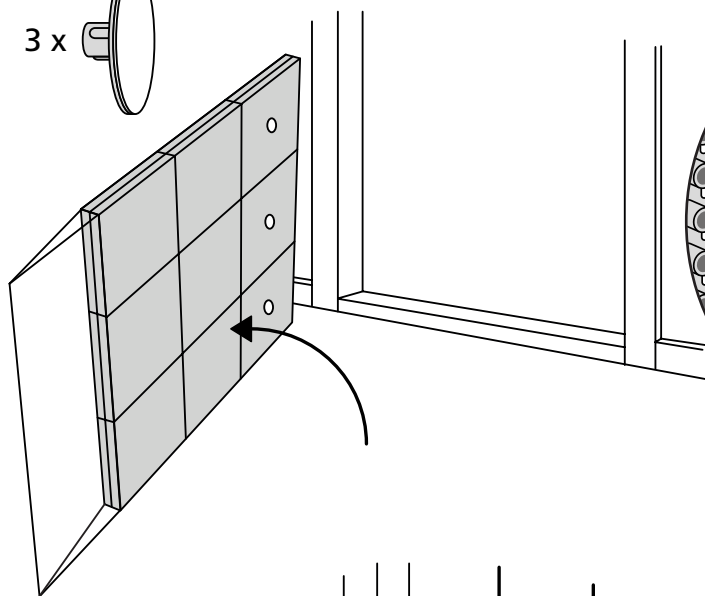
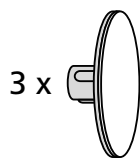
Use rubber hammer (Not included)



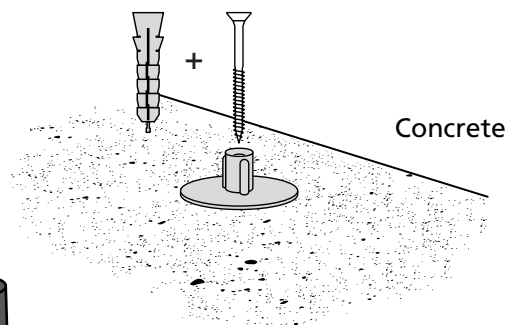
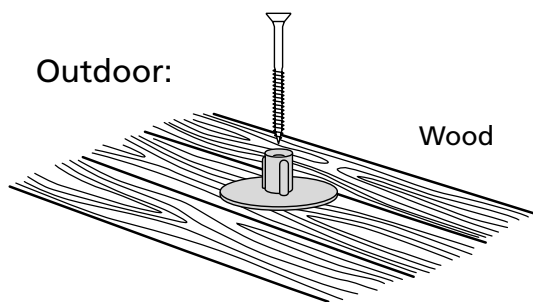
FASTENING WITH MOUNTING PADS



Indoor:



Outdoor:



MOUNTING WITH STOPPERS

