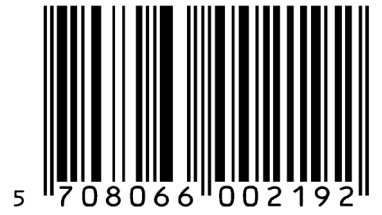


# RAMP KIT 103 PLATFORM

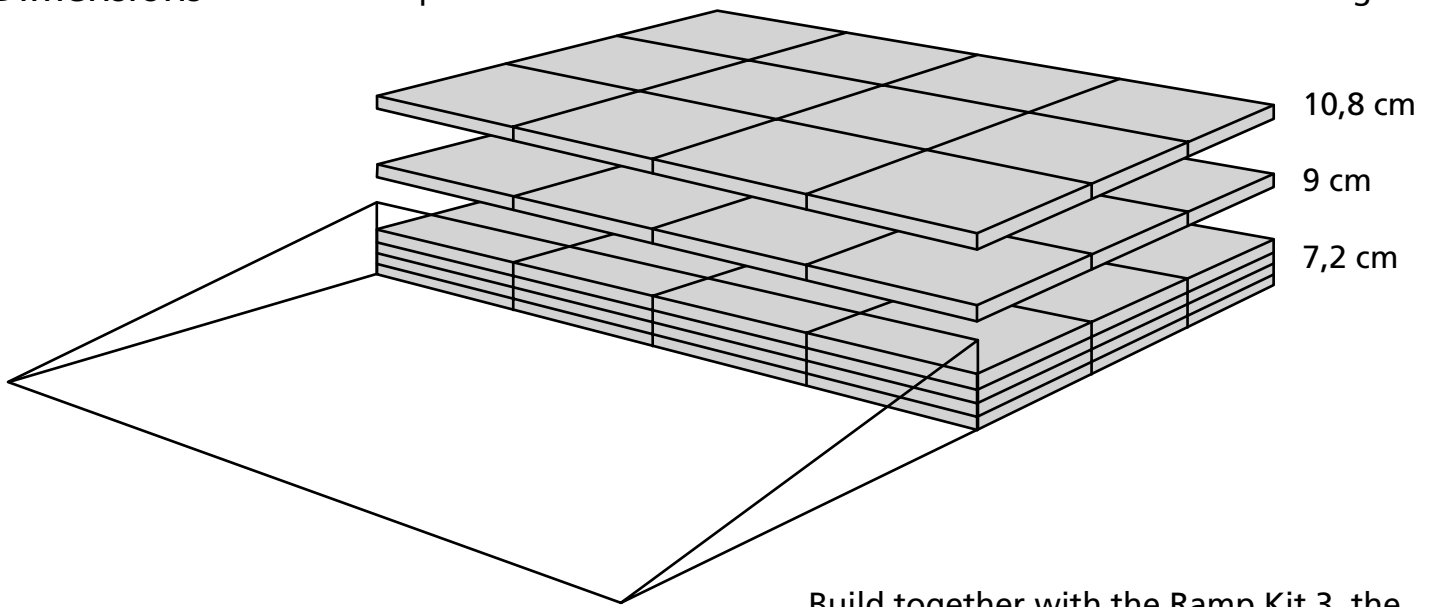


## Dimensions

Depth: 75 cm

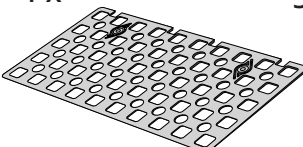
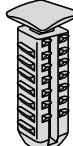
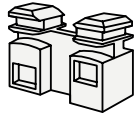
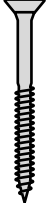
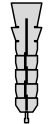
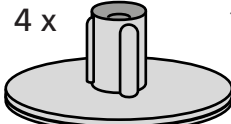

Width: 100 cm

Height:



Build together with the Ramp Kit 3, the height can be adjusted up to 12,4 cm

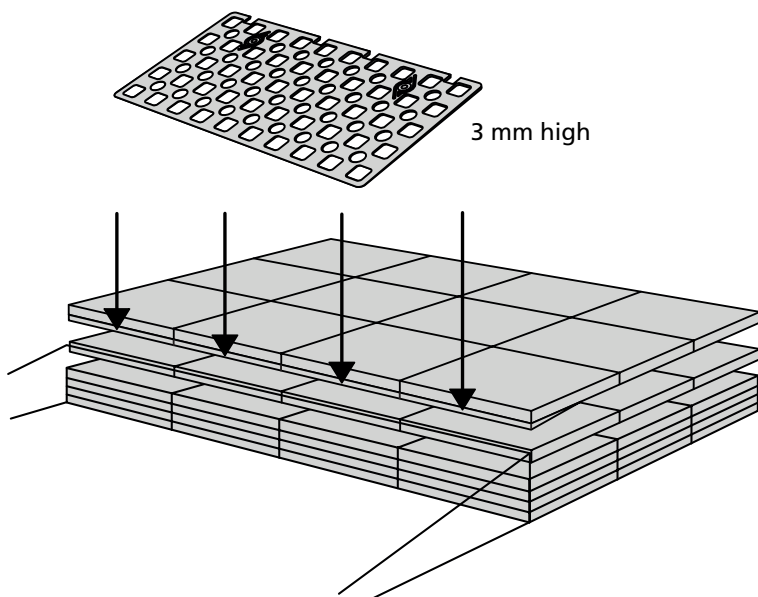
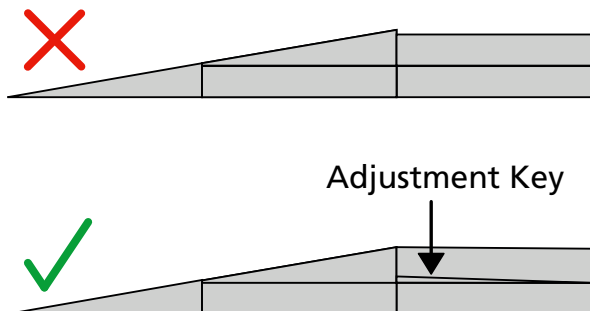
**Included**

4 x  30 x  32 x  4 x  4 x  4 x  12 x 

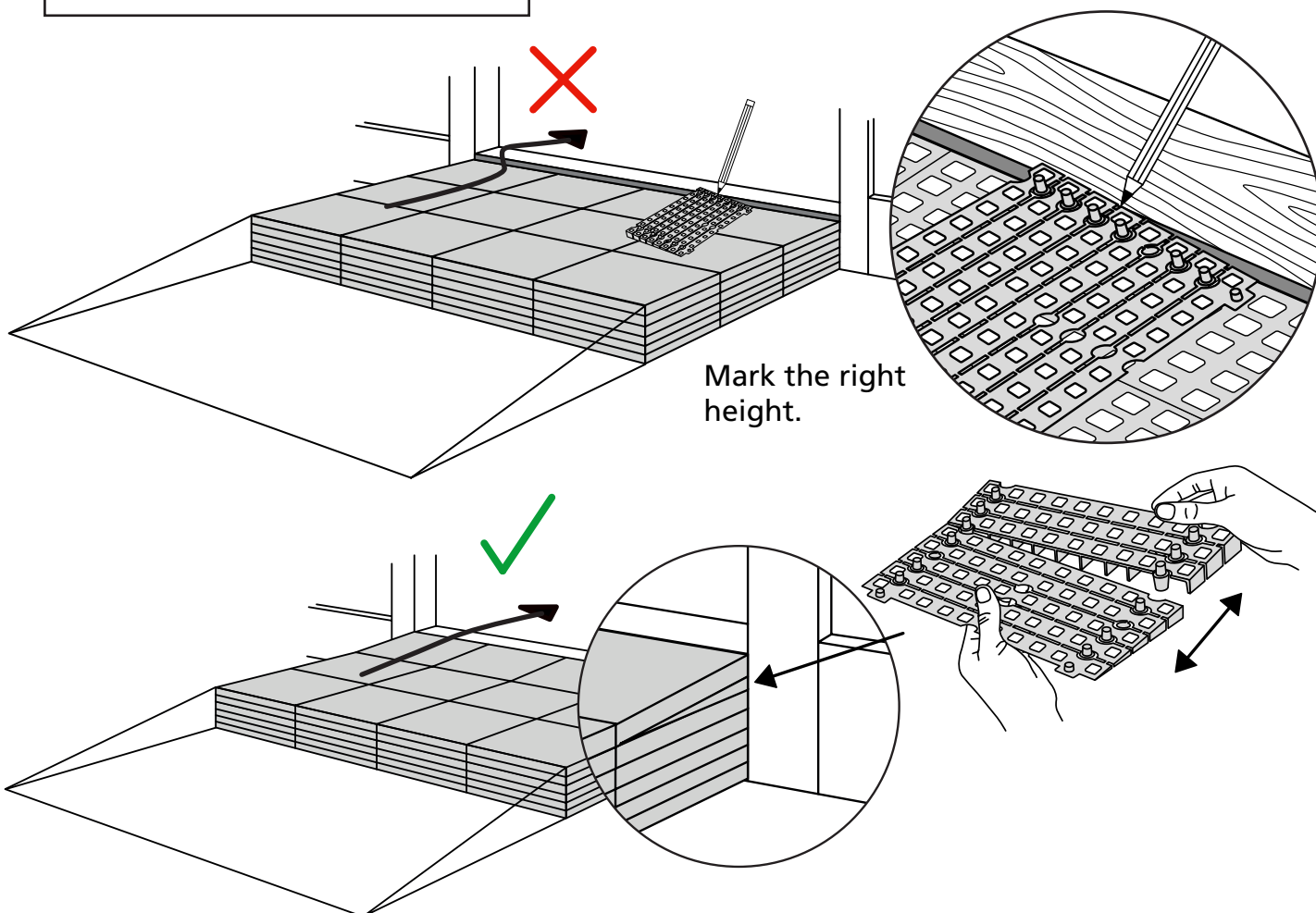
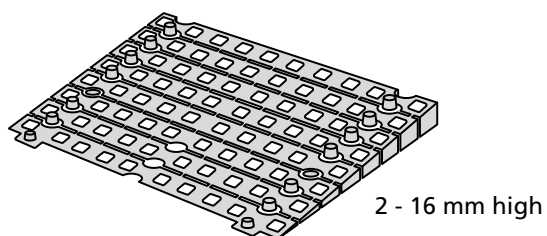
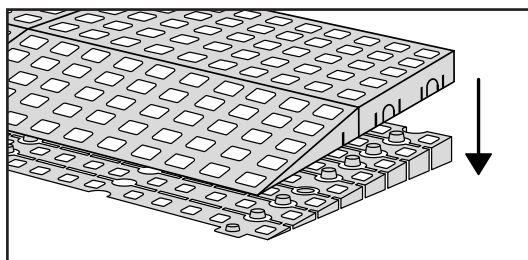
Mounted under the platform

# HEIGHT ADJUSTMENTS

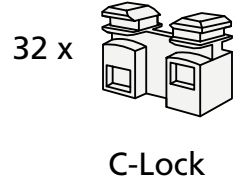
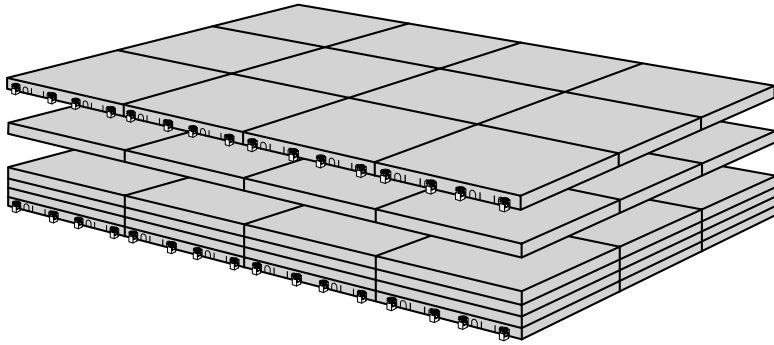
The Adjustment Key equalizes the height difference between platform and ramp.



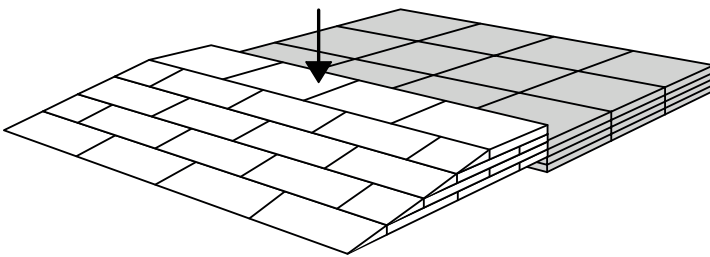
When you connect a **platform** and a **ramp**, remove the **Ramp Adjuster** from the ramp, and use it to adjust the platform as shown here:



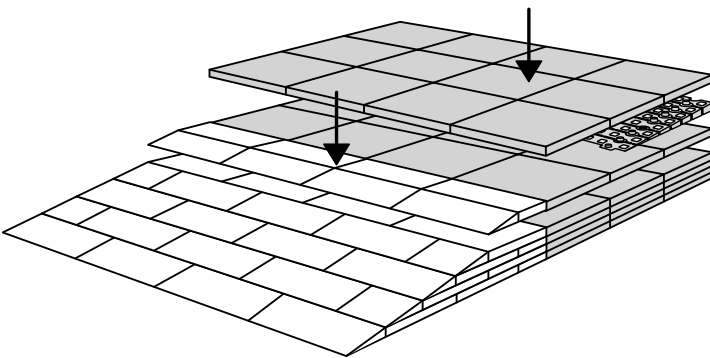
# MOUNTING WITH LOCKS



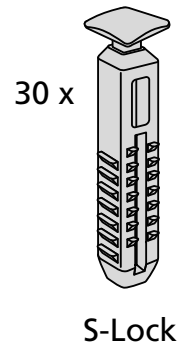
How to connect KIT and Platform:



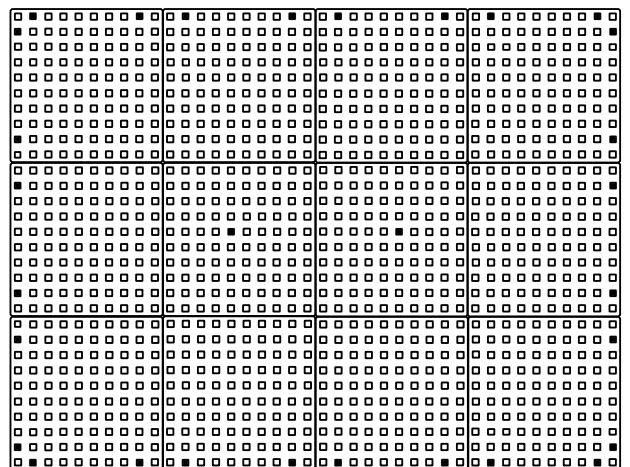
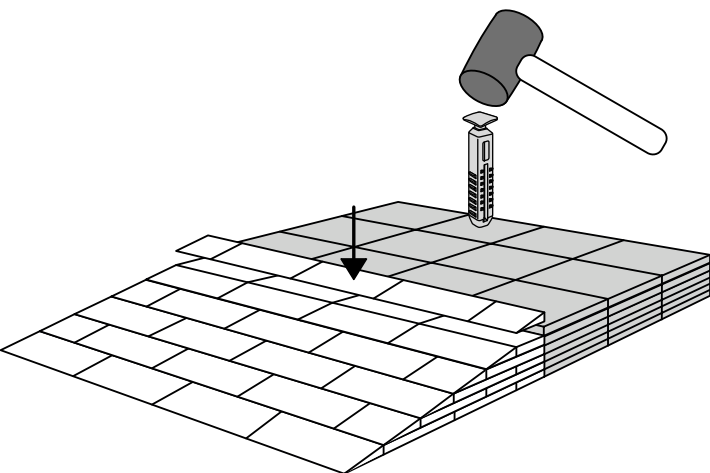
Locks in Ramp KIT:  
See KIT instruction for placement  
of Locks in the Ramp KIT.



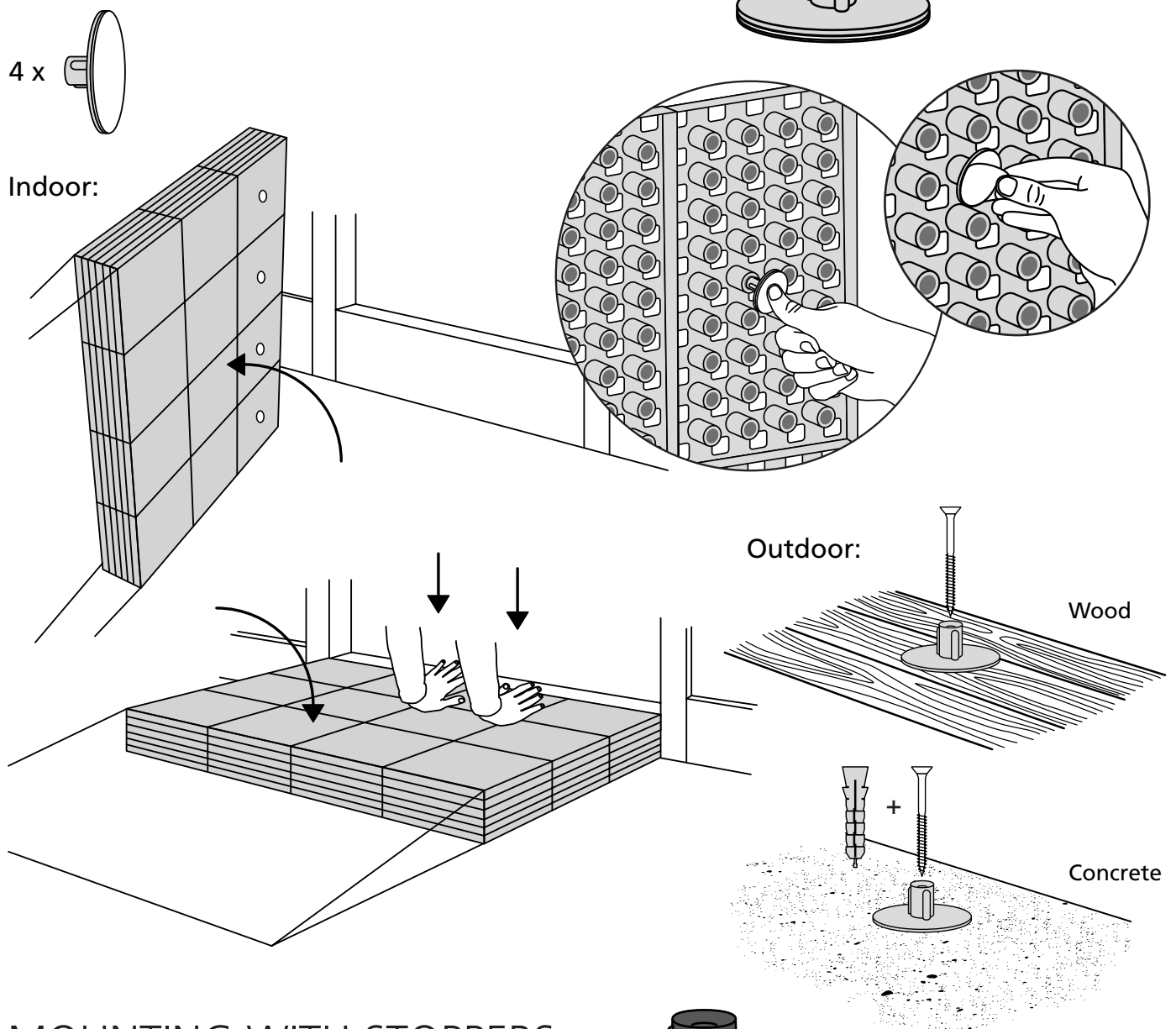
Locks in platform:  
S-Lock is mounted  
on the top layer.



Use rubber hammer  
(Not included)



# FASTENING WITH MOUNTING PADS



# MOUNTING WITH STOPPERS

