

RAMP KIT 3 PLATFORM



5 708066 002048

Dimensions

Depth: 75 cm

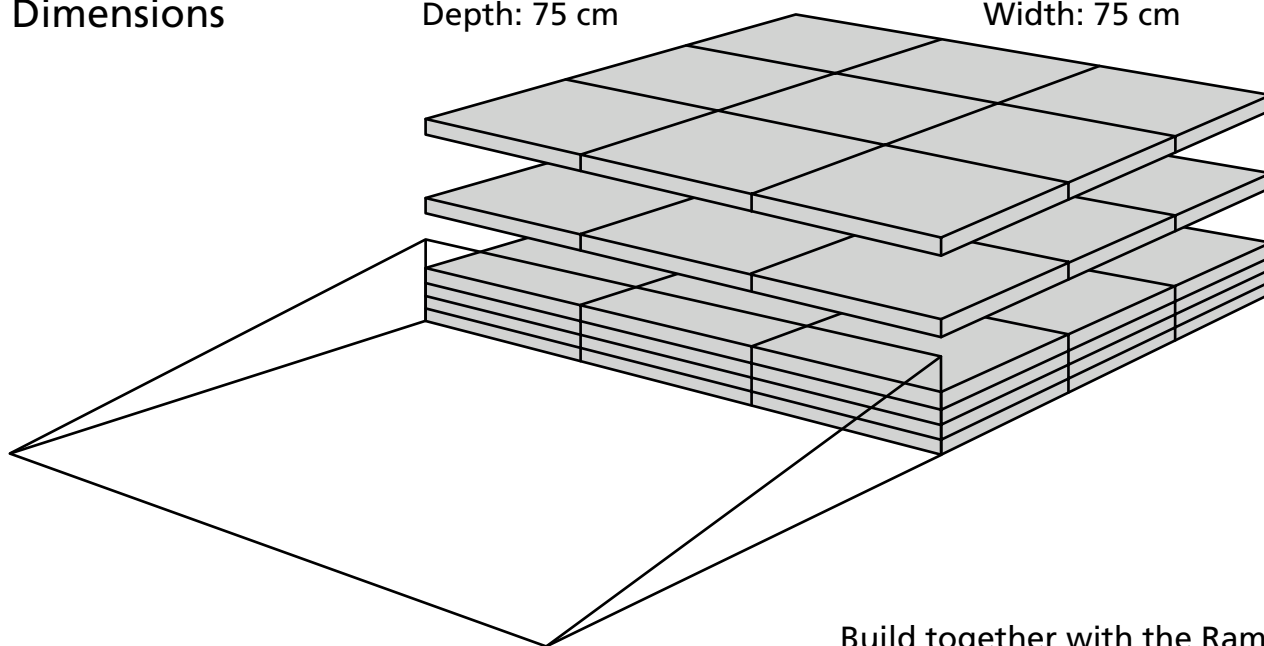
Width: 75 cm

Height:

10,8 cm

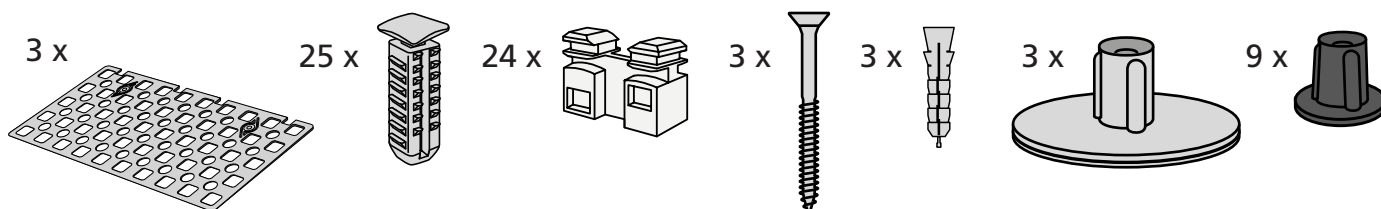
9 cm

7,2 cm



Build together with the Ramp Kit 3, the height can be adjusted up to 12,4 cm

Included



Mounted under the platform

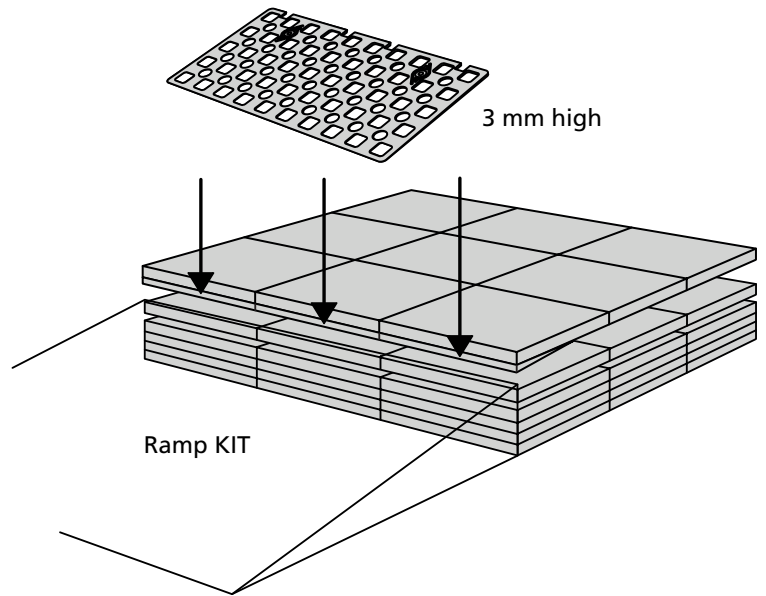
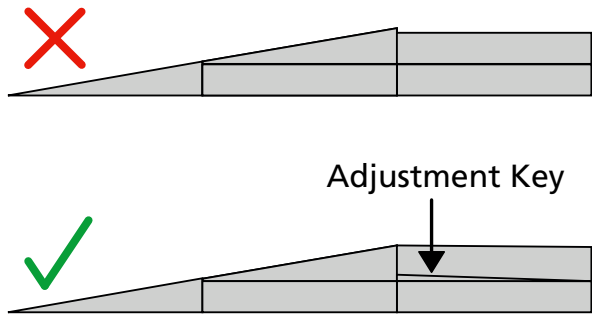


Danish Design Pat. Pend. and produced in Denmark by Excellent Systems A/S

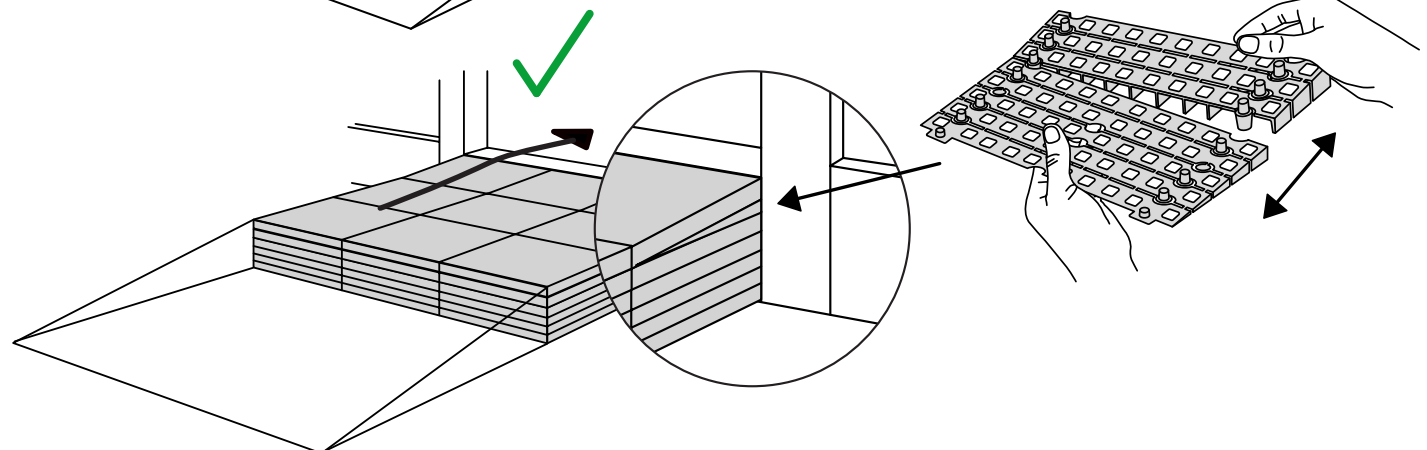
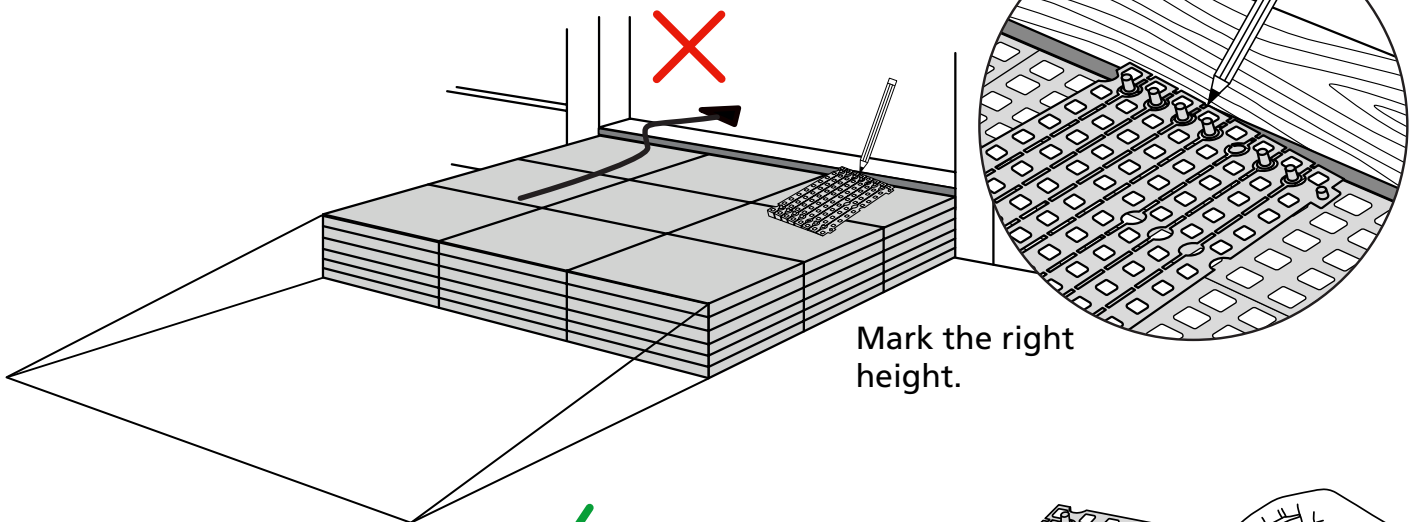
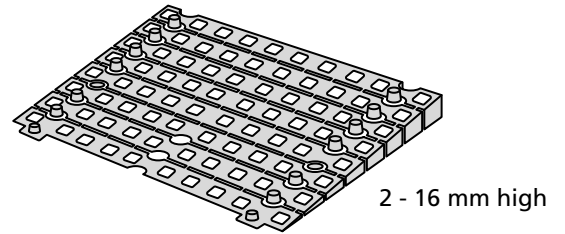
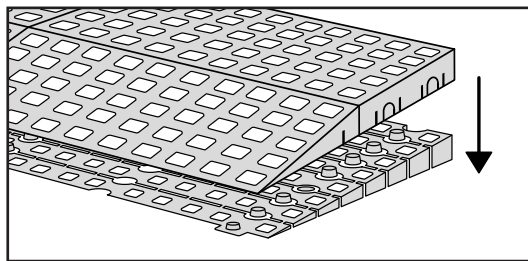


HEIGHT ADJUSTMENTS

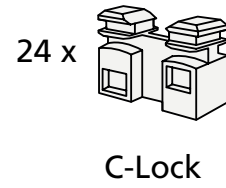
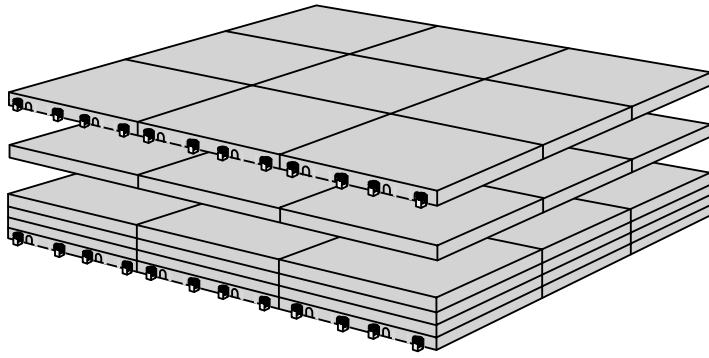
The Adjustment Key equalizes the height difference between platform and ramp.



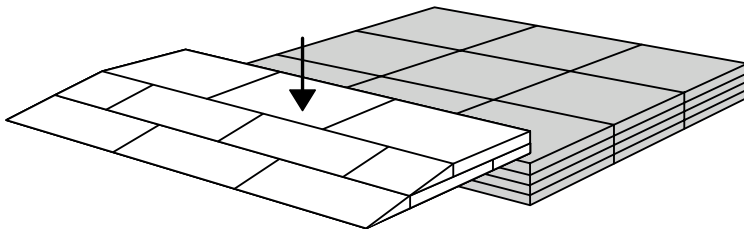
When you connect a **platform** and a **ramp**, remove the **Ramp Adjuster** from the ramp, and use it to adjust the platform as shown here:



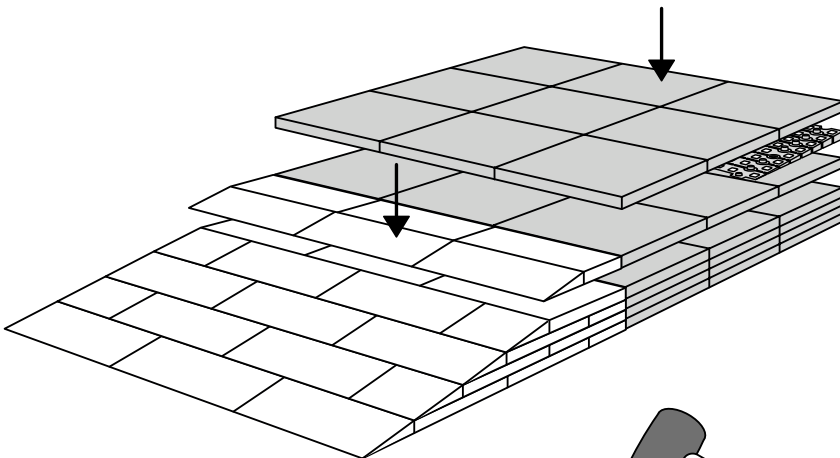
MOUNTING WITH LOCKS



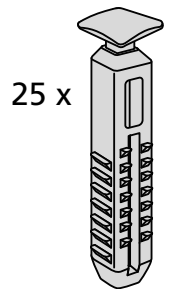
How to connect KIT and Platform:



Locks in Ramp KIT:
See KIT instruction for placement of Locks in the Ramp KIT.

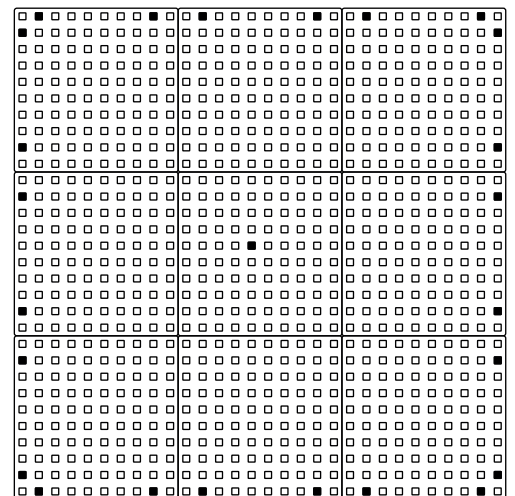
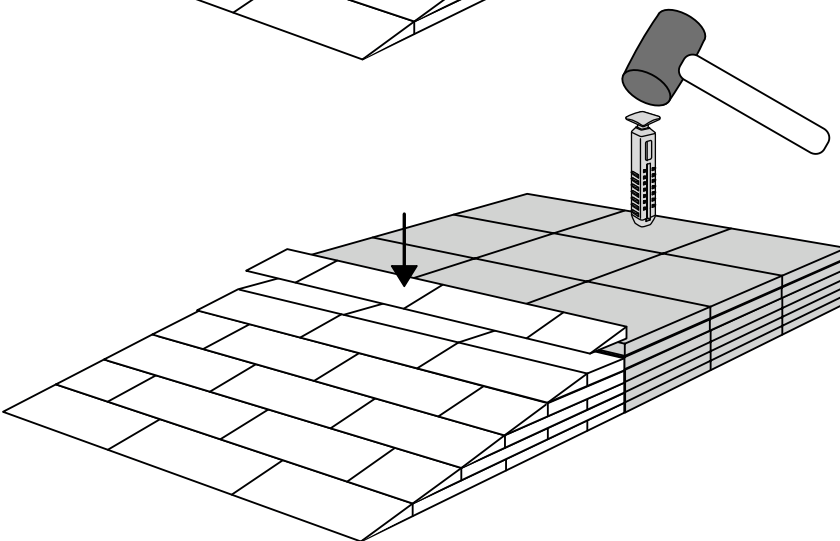


Locks in platform:
S-Lock is mounted on the top layer.

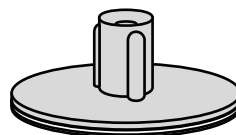


Use rubber hammer
(Not included)

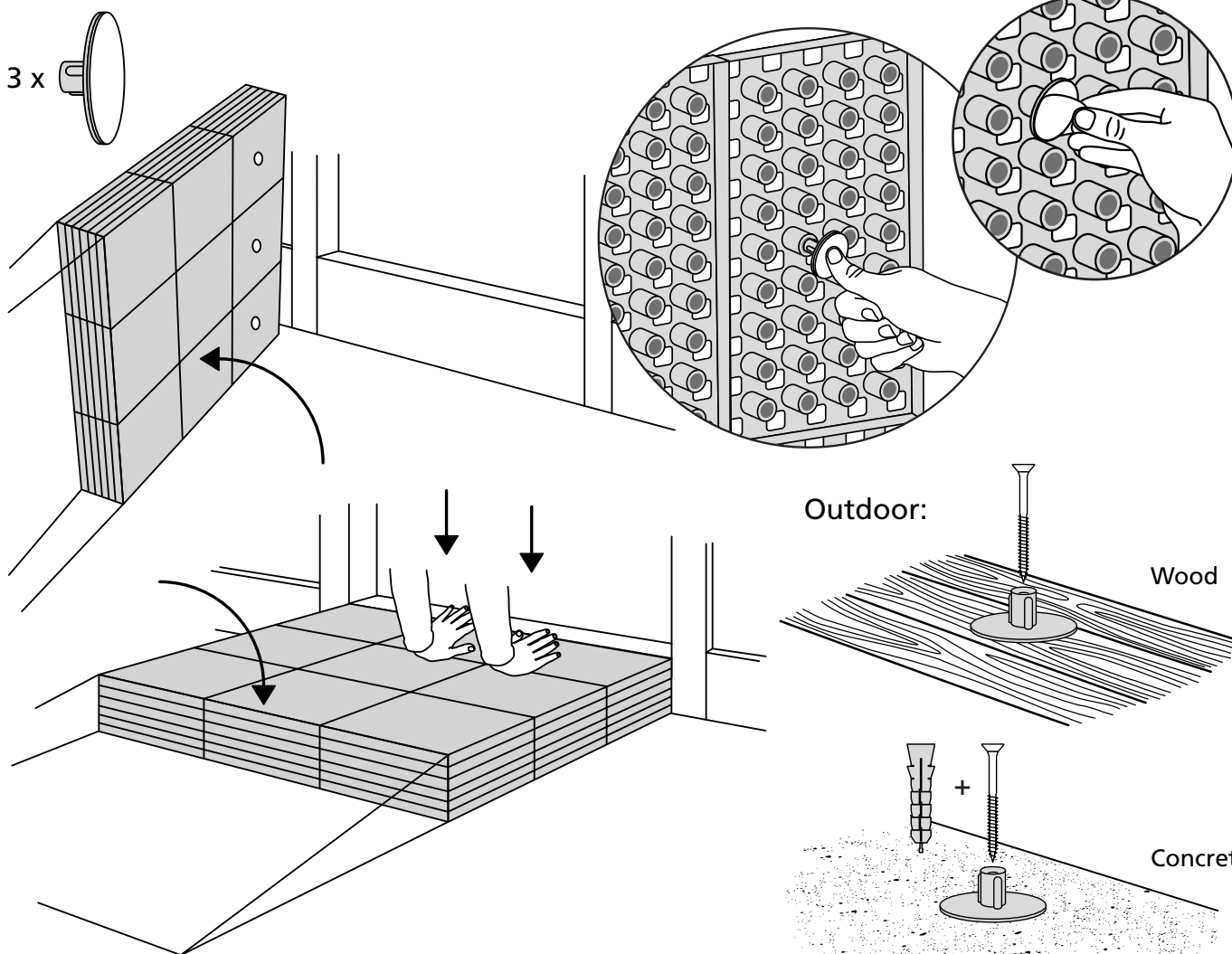
S-Lock



FASTENING WITH MOUNTING PADS



Indoor:

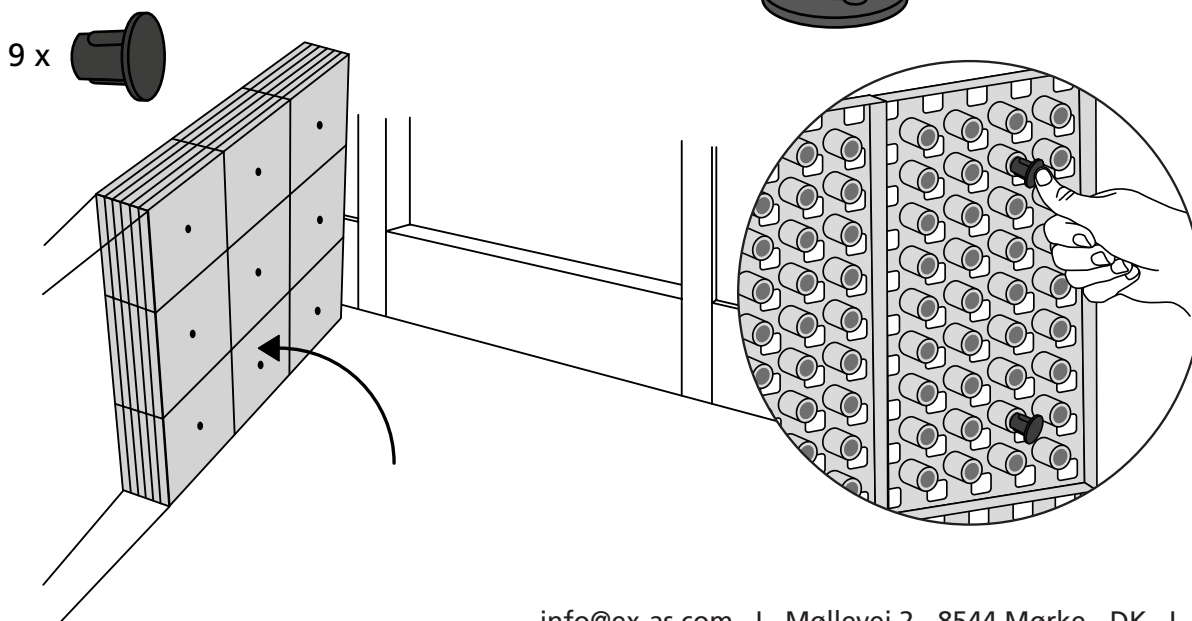
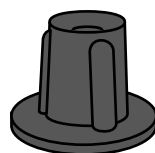


Outdoor:

Wood

Concrete

MOUNTING WITH STOPPERS



info@ex-as.com | Møllevvej 2 - 8544 Mørke - DK | +45 86377133